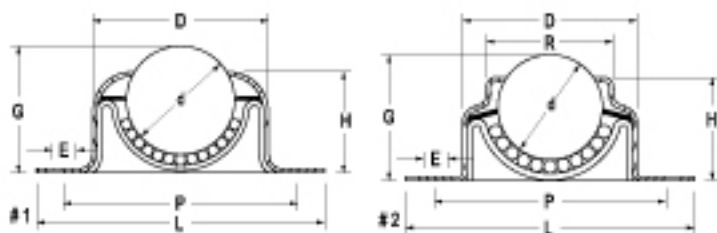


Jainsons®
www.jainsons.net

**BALL
TRANSFERS**

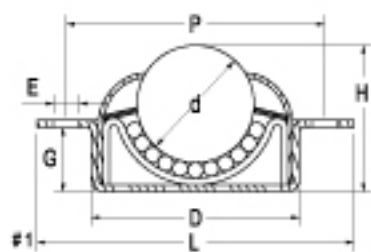


**High Quality Ball Transfers
for Material Handling Industry**



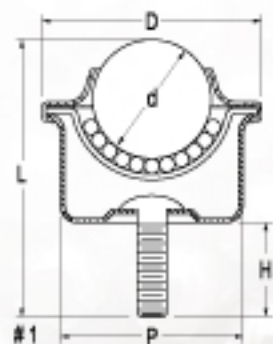
JBT-254 Series

Model	Dimension								Sub ball No.	Rating lb\kg	Drawing	
	D	d	P	L	E	G	H	R				
JBT158-2 (inch)	1.10	5/8	1.56	1.95	0.17	0.83	0.66	0.76	50	3/32	45	# 2
(mm)	27.9	15.9	39.6	49.5	4.3	21.1	16.8	19.3	50	2.38	21	
JBT254-1 (inch)	1.65	1.00	2.20	2.72	0.21	1.19	0.95		65	1/8	125	# 1
(mm)	41.9	25.4	55.9	69.1	5.3	30.2	24.1		65	3.17	57	
JBT254-2 (inch)	1.65	1.00	2.20	2.72	0.21	1.19	0.95	1.21	65	1/8	125	# 2
(mm)	41.9	25.4	55.9	69.1	5.3	30.2	24.1	30.7	65	3.17	57	



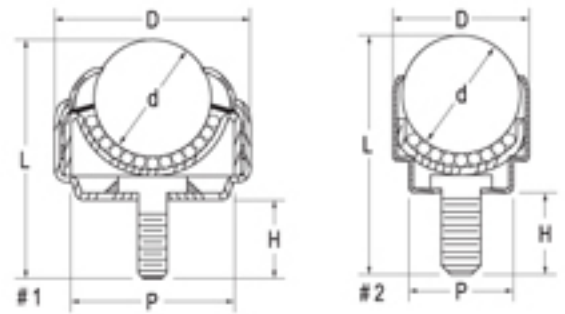
JBT-254-8

Model	Dimension								Sub ball No.	Rating lb\kg	Drawing	
	D	d	P	L	E	G	H	R				
JBT254-8 (inch)	1.77	1	2.20	2.70	0.21	0.55	1.25	0.46	65	1/8	125	# 1
(mm)	45.0	25.4	55.9	68.6	5.3	14.0	31.8	11.7	65	3.17	57	



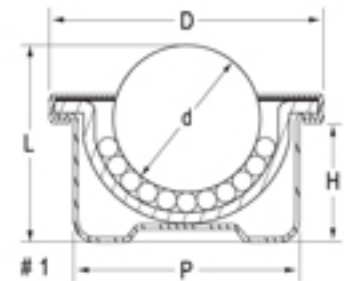
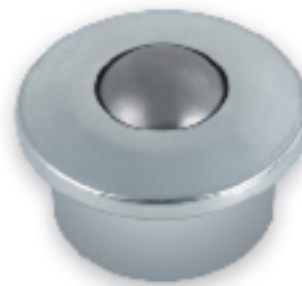
JBT-254-3

Model	Dimension					Sub ball		Rating lb\kg	Drawing
	D	d	P	L	H	No.	Dia		
JBT254-3 (inch)	1.81	1.00	1.50	2.41	0.87	65	1/8	50	# 1
(mm)	46.0	25.4	38.1	61.2	22.1	65	3.17	21	



JBT-254-5

Model	Dimension					Sub ball		Rating	Drawing
	D	d	P	L	H	No.	Dia	lb/kg	
JBT254-4 (inch)	1.77	1.00	1.41	2.15	0.75	65	1/8	125	# 1
(mm)	45.0	25.4	35.8	54.6	19.1	65	3.17	57	
JBT286-4 (inch)	1.88	1.13	1.57	2.37		100	1/8	200	# 1
(mm)	47.8	28.6	39.9	60.2		100	3.17	91	
JBT254-5 (inch)	1.22	1.00	1.00	2.25	1.44	45	1/8	100	# 2
(mm)	31.0	25.4	25.4	57.2	36.6	45	3.17	45	



JBT-254-7

Model	Dimension					Sub ball		Rating	Drawing
	D	d	P	L	H	No.	Dia	lb/kg	
JBT254-7 (inch)	1.84	1.00	1.52	1.34	0.82	65	1/8	125	#1
(mm)	46.7	25.4	38.6	34.0	20.8	65	3.17	57	

Available Materials:

1. Carbon Steel
2. Stainless Steel
3. Delrin
4. Nylon

Load Capacity: Load distribution is governed by flatness, hardness and smoothness of the load surface in contact with the balls. To avoid exceeding the rated capacity of any individual ball transfer unit, sufficient ball transfers should be provided to afford a safety factor of 3. For example, the number of ball transfers (30kg maximum capacity) required to support a load of 300kg would be 10 units x 3, i.e. 30 units to obtain smooth rolling motion under ranging degrees of flatness.

For more information contact:

Super Castors (India)

Ojasavi, 1089, Sector 4, Urban Estate, GURGAON 122 001, Haryana, India
 Ph: 0091-124-4076611, 4076622 Fax: (124) 4076633, 2331991
 E-mail: info@jainsons.net, castors@vsnl.net www.jainsons.net

